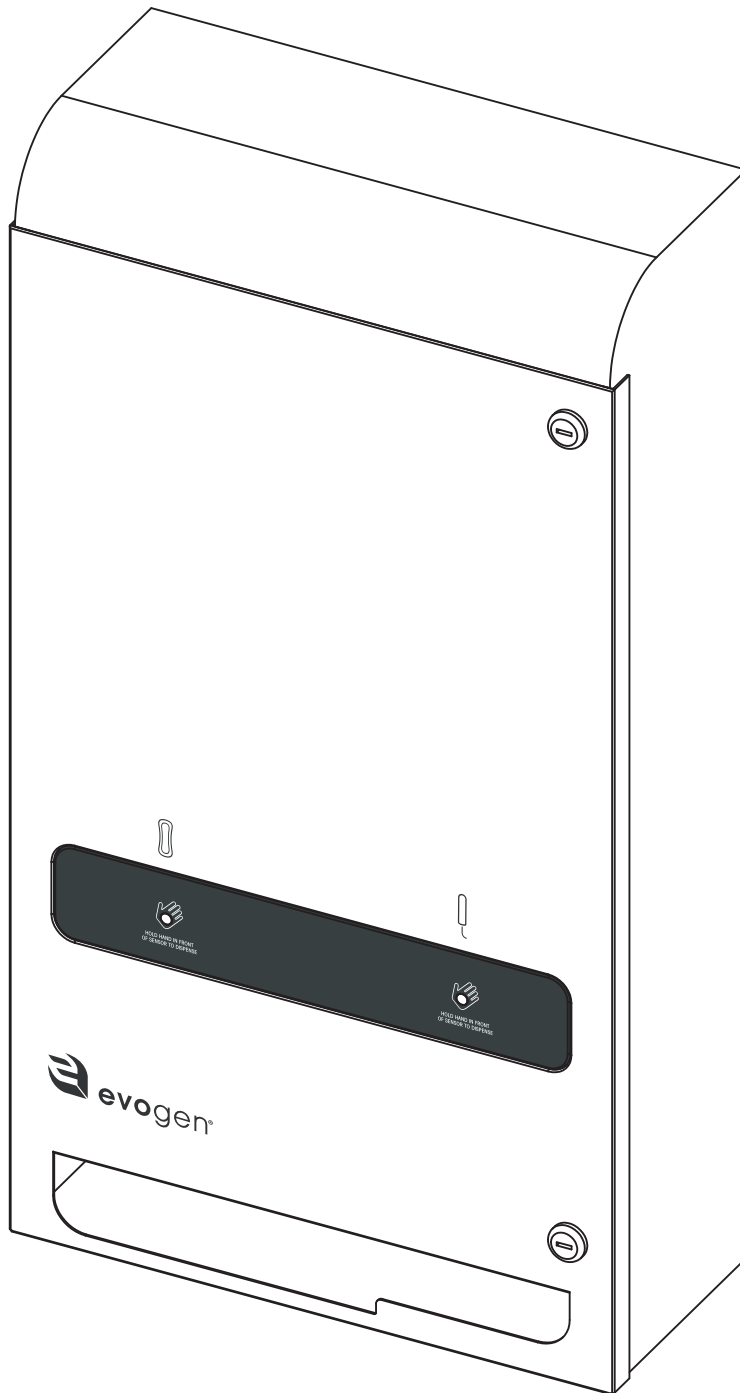




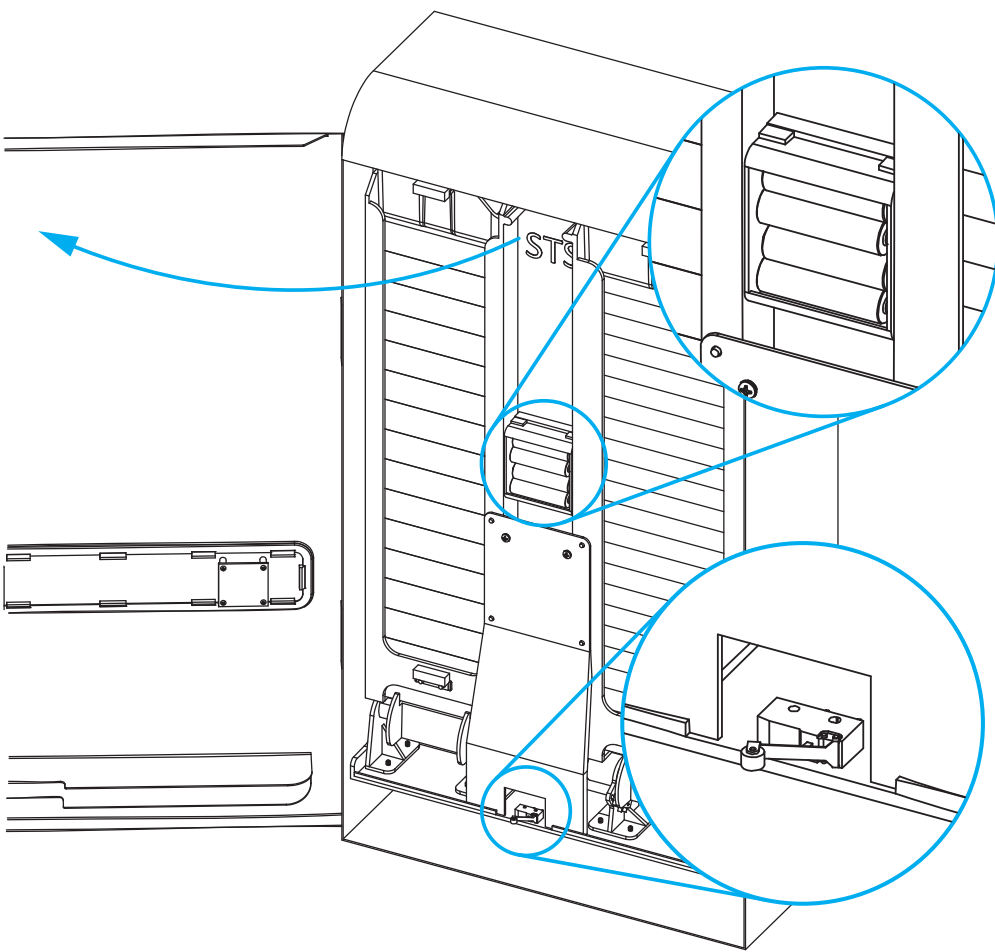
TROUBLE SHOOTING GUIDE

EVNT3-W ▪ EVNT3-SS ▪ EVNT3-WM



1. Unit Will Not Dispense Product

Open the door



+	-
-	+
+	-
-	+

Replace or Check for correct battery orientation. Use only Duracell or Energizer batteries. Replace all at once.

When closing door make sure the Roller Switch is activated

If NOT bend the metal arm to make contact with door when closing

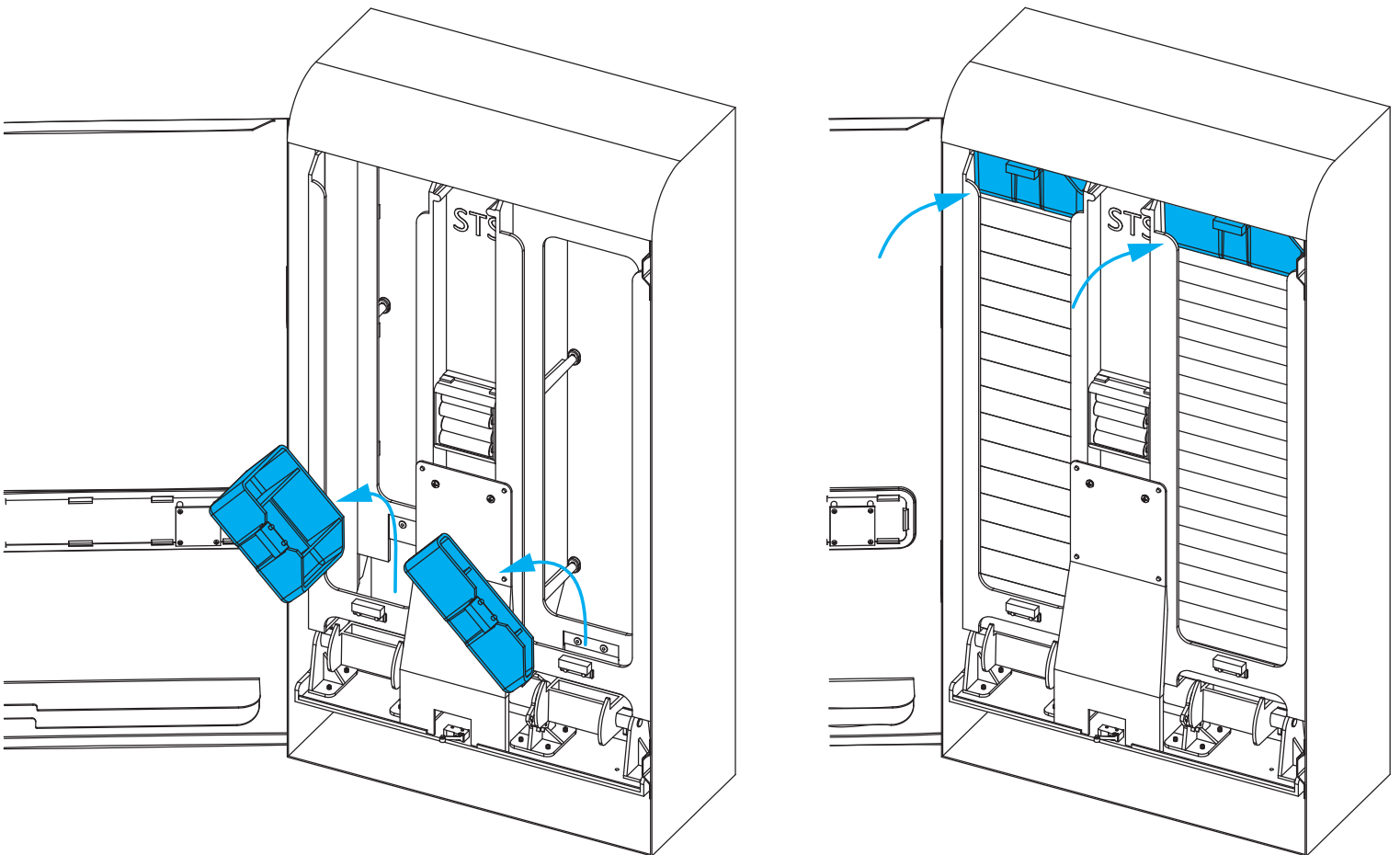


2. Light Indication

Solid Red Lights: [A. Low battery Power \(Replace Batteries\)](#)
[B. Possible Product Jam](#) (SEE PAGE 3)

Blinking Red Lights: [Product is empty Replenish Product](#)

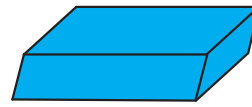
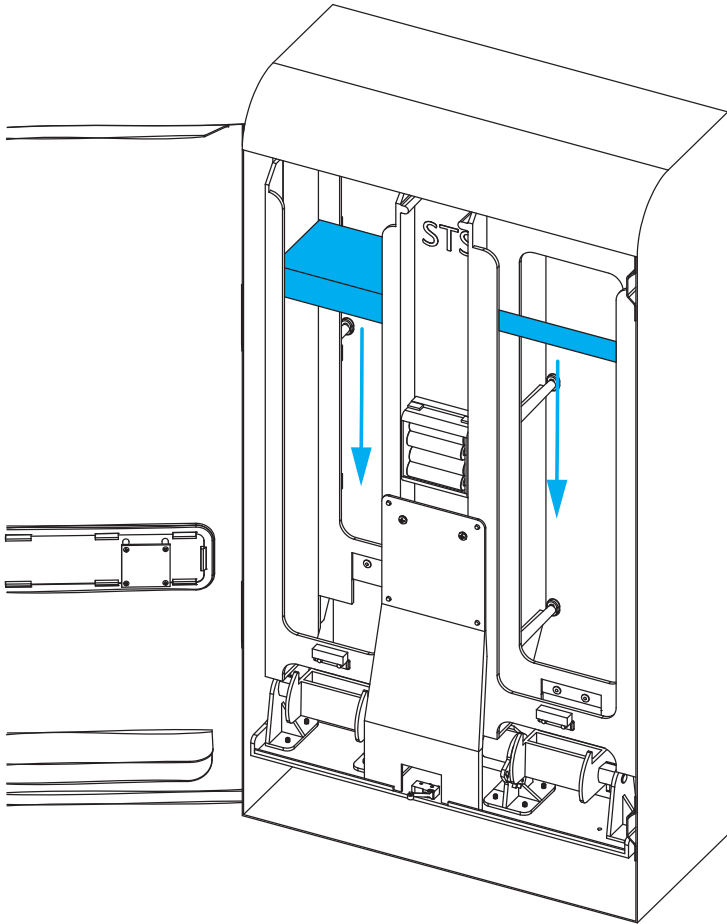
[Remove weights before refill product](#)
[then place weights back on TOP of products](#)



3. Product Jam

Check Napkin Box & or Tampon Tube to ensure it Falls Freely in the Channel

Misshaped or oversized Napkin & Tampons can cause Jamming

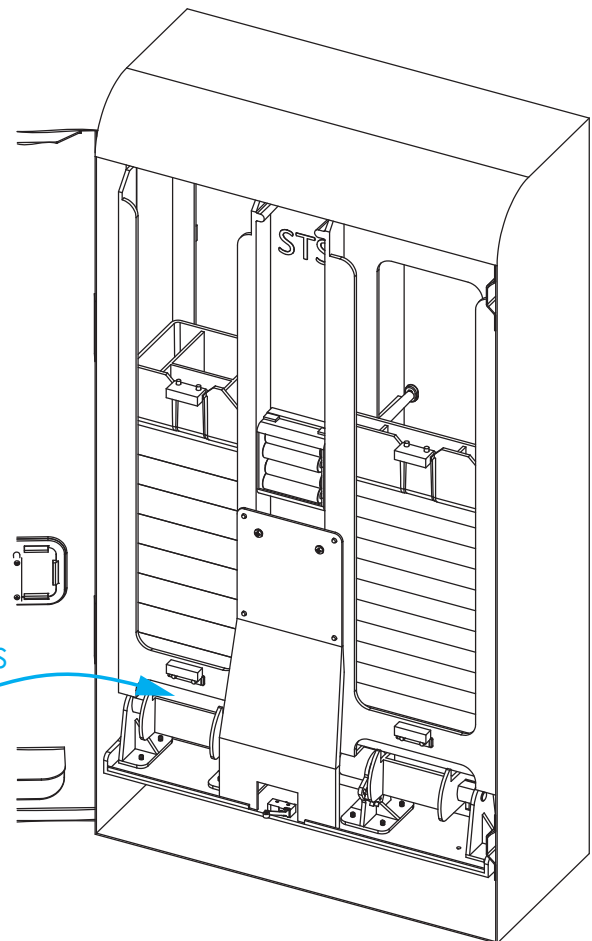


Misshaped



Oversized

To get the jammed product out Please remove all remaining products from the channel, Push down or remove jammed product and replenish with correct size product



NOTE: DO NOT MANUALLY ROTATE CRADLE